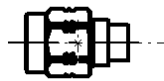
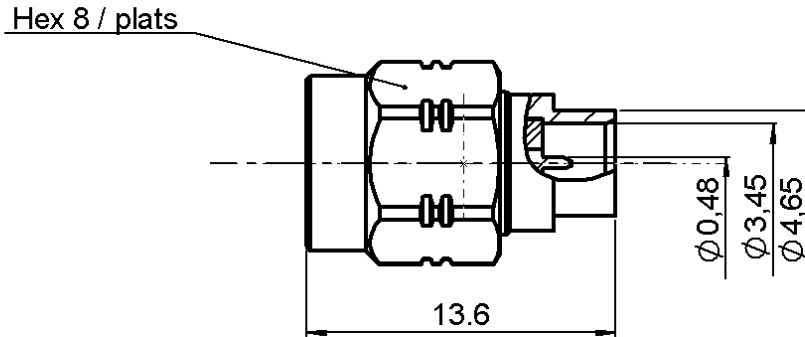


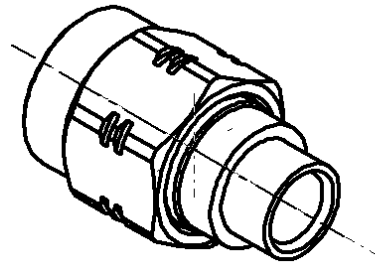
ADAPTATOR SMA MALE - RP MCX MALE

R191.984.008

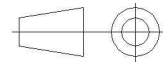
Série : ADAPT



SCALE 1/1



All dimensions are in mm.



COMPONENTS	MATERIALS	PLATINGS (µm)
BODY	BRASS	TIN NICKEL
CENTER CONTACT	BRASS	GOLD 0.5 OVER NICKEL 2
OUTER CONTACT	-	-
INSULATOR	PTFE	-
GASKET	SILICONE RUBBER	-
OTHERS PARTS	BRASS	NICKEL 2
-	-	-
-	-	-

Issue : 0421 A

In the effort to improve our products, we reserve the rights to make changes judged to be necessary.



ADAPTATOR SMA MALE - RP MCX MALE

R191.984.008

Série : ADAPT

PACKAGING

Standard	Unit	Other
1	-	Contact us

SPECIFICATION

ELECTRICAL CHARACTERISTICS

Impedance		50 Ω
Frequency		0-2 GHz
VSWR	NA +	0.000 x F(GHz) Maxi
Insertion loss		0.25 √F(GHz) dB Maxi
RF leakage	- (NA - F(GHz)) dB Maxi
Voltage rating		500 Veff Maxi
Dielectric withstanding voltage		1000 Veff mini
Insulation resistance		1000 MΩ mini

ENVIRONMENTAL

Operating		° C
Hermetic seal	NA	Atm.cm3/s
Panel leakage	NA	

MECHANICAL CHARACTERISTICS

Center contact retention		
Axial force – Mating end		27 N mini
Axial force – Opposite end		27 N mini
Torque		2.7 N.cm mini

Recommended torque		
Mating	SMA-	0 N.cm
	DIVER	0 N.cm
	-	0 N.cm
Panel nut	NA	N.cm

Mating life		500 Cycles mini
Weight		2.760 g

OTHERS CHARACTERISTICS

* SMA mating 200 max cycles

Issue : 0421 A

In the effort to improve our products, we reserve the rights to make changes judged to be necessary.



RADIALL®